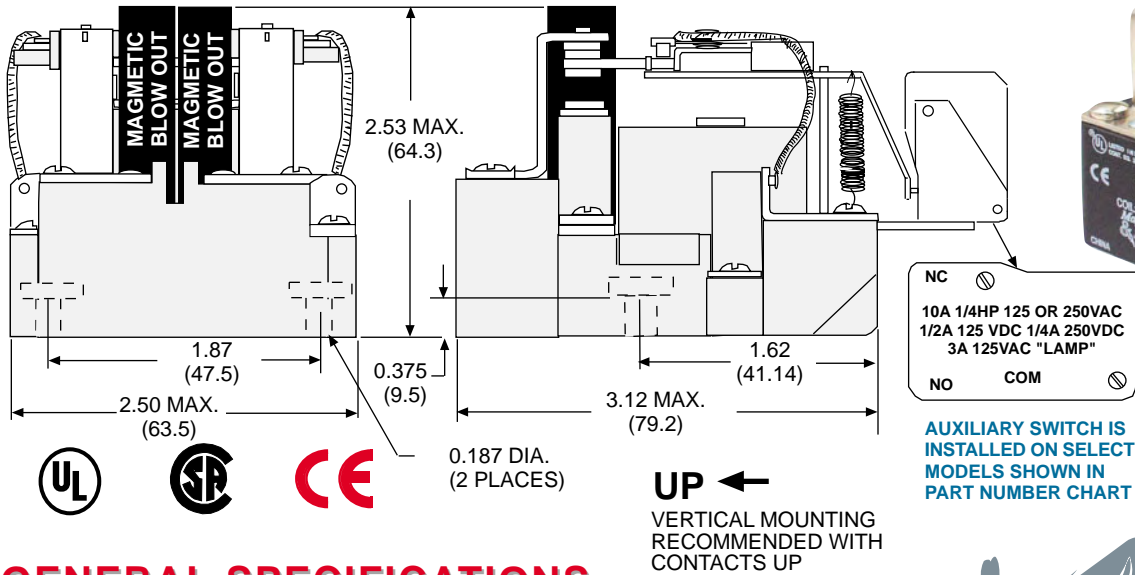


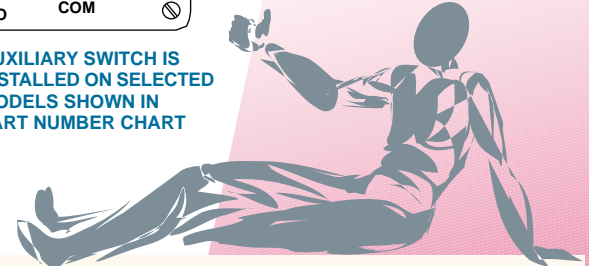
**DPDT, 30 AMPS 10 AMPS
@ 110 VDC**

OUTLINE DIMENSIONS
DIMENSIONS SHOWN IN INCHES & (MILLIMETERS).



Optional metal enclosure available, see page 12

AUXILIARY SWITCH IS INSTALLED ON SELECTED MODELS SHOWN IN PART NUMBER CHART



GENERAL SPECIFICATIONS

COIL

- Pull-in Voltage: 85% of nominal voltage or less for AC coils
80% of nominal voltage or less for DC coils
- Dropout Voltage: 10% of nominal voltage or more @ 25°C
- Coil Resistance: ± 10% @ 25°C
- Coil Power: 2.0 watts DC., 10 VA (60Hz) AC @ 25°C
- Max. Coil Dissipation: DC coils - 4 watts max.
- Duty: Continuous.

CONTACTS

- Contact Material: Silver cadmium oxide, gold flashed. 5/16" diameter standard.
- Contact Rating: 30 amps up to 300VAC, 50/60Hz
5 amps @ 480/600 VAC, 50/60Hz 0.75 pf Inductive load. 1-1/2 Hp motor load (each pole) @ 120 thru 600 VAC, 50/60 Hz. 2 Hp motor load @ 120 thru 600 VAC, 50/60 Hz only when using two poles to switch both sides of load. 30 amps @ 28 VDC resistive load.
15 amps tungsten @ 120 VAC NEMA A 600 pilot duty 50/60Hz
- DC Rating: 10 amps @110VDC, resistive; 4 Amps @220VDC, resistive, 2 amps @ 325VDC resistive. For inductive loads, contacts must be derated accordingly. Capacitive loads must have current limiting to insure that inrush current will not exceed 50 amps
- Auxiliary Switch: 10 amps 1/4 Hp 125 or 250VAC
1/2 amp 125 VDC 1/4 amp 250 VDC
3 amps 125 VAC "Lamp"

DIETIMING

- Operate Time: 40 milliseconds max. @ nominal voltage
- Release Time: 30 milliseconds max. @ nominal voltage.

ELECTRIC STRENGTH

- Between Open Contacts: 1500 V rms
- Mutually Insulated
- Conductive elements: 2200 V rms

TEMPERATURE

- Operating Range: (AC) -30°C to +50°C,
(DC) -30°C to +60°C
- Non-Operating Storage Range: -55°C to +100°C

LIFE EXPECTANCY

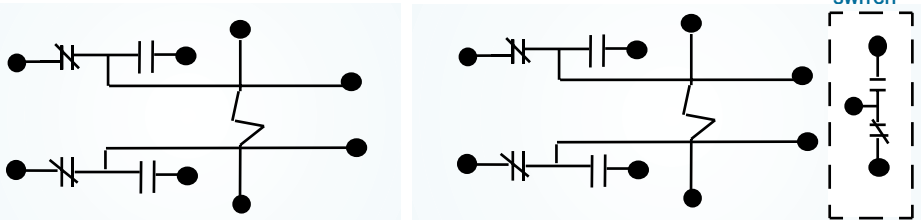
- Electrical: 100,000 operations @ rated resistive load
- Mechanical: 1,000,000 operations @ no load

MISCELLANEOUS

- Coil Terminals: 6-32 combination head screws
- Load Terminals: 8-32 combination head screws
- Base Material: Molded phenolic, UL recognized (QMF)
- Weight: 312 grams approx.

WIRING DIAGRAM

(VIEWED FROM PIN END)



OTHER COIL VOLTAGES ARE AVAILABLE ON SPECIAL ORDER. CONTACT FACTORY FOR SPECIAL REQUIREMENTS.

STANDARD PART NUMBERS	COIL MEASURED @ 25°C	
	NOMINAL INPUT VOLTAGE	NOMINAL RESISTANCE (OHMS)
AC OPERATED		
W199ABX-14	120 VAC	290 Ω
AC OPERATED WITH SPDT AUXILIARY		
W199ABMX-7	120 VAC	290 Ω
DC OPERATED		
W199BX-13	24 VDC	290 Ω
W199BX-14	110 VDC	6000 Ω
DC OPERATED WITH SPDT AUXILIARY		
W199BMX-13	24 VDC	290 Ω
W199BMX-14	110 VDC	6000 Ω